

ATS 80 A

Switchboard
for contactors



WEIGHT:
13,5 kg

DIMENSIONS:
L: 600 mm
W: 250 mm
H: 400 mm

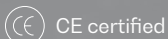
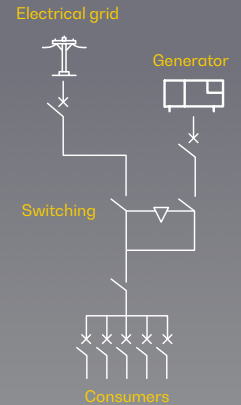
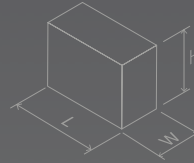


Image for orientation purposes. Dagartech reserves the right to modify the data in this technical sheet without prior notice.



1. General technical data

General technical data	Contactor application	Resistive load
	Employment category	AC-1
	Frequency	50/60Hz
	Number of poles	4
	Composition of auxiliary contacts	1 NA + 1 NC
Rated operating voltage (U_e)	Supply voltage, state 1 <= 690 V AC 25...400 Hz	
	Supply circuit, state 1 <= 300 V DC	
Nominal corr. of employment (I_e)	80 A 60°C at <= 440 V AC-1 for power supply circuit	
	Type of control circuit	AC at 50/60 Hz
	Control circuit voltage (U_c)	230V AC 50/60Hz
	Peak voltage withstand (U_{imp})	6 kV according to IEC 60947
	Overvoltage category	III
Conventional thermal current at <60°C (I_{th})	10 A at <60°C for signalling circuit	
	80 A at <60°C for supply circuit	
Irms rated connection power	140 A AC for signalling circuit according to IEC 60947-5-1	
	250 A DC for signalling circuit according to IEC 60947-5-1	
	1000 A at 440 V for supply circuit according to IEC 60947	
Assigned shearing power	1000 A at 440 V for supply circuit according to IEC 60947	
Allowable time current (I_{cw})	520 A at <40°C - 10 s for supply circuit	
	900 A at <40°C - 1 s for supply circuit	
	110 A at <40°C - 10 min for supply circuit	
	260 A at <40°C - 1 min for supply circuit	
	100 A - 1 s for signalling circuit	
	120 A - 500 ms for signalling circuit	
	140 A - 100 ms for signalling circuit	

Standards

- CSA C22.2 No 14
- EN 60947-4-1
- EN 60947-5-1
- IEC 60947-4-1
- IEC 60947-5-1
- UL 508

Product certifications

- UL
- BV
- CCC
- LROS (Lloyds Register of Shipping)
- DNV
- CSA
- RINA
- GOST
- GL

50/60 Hz

Remotely operated motorised switch (RTS)

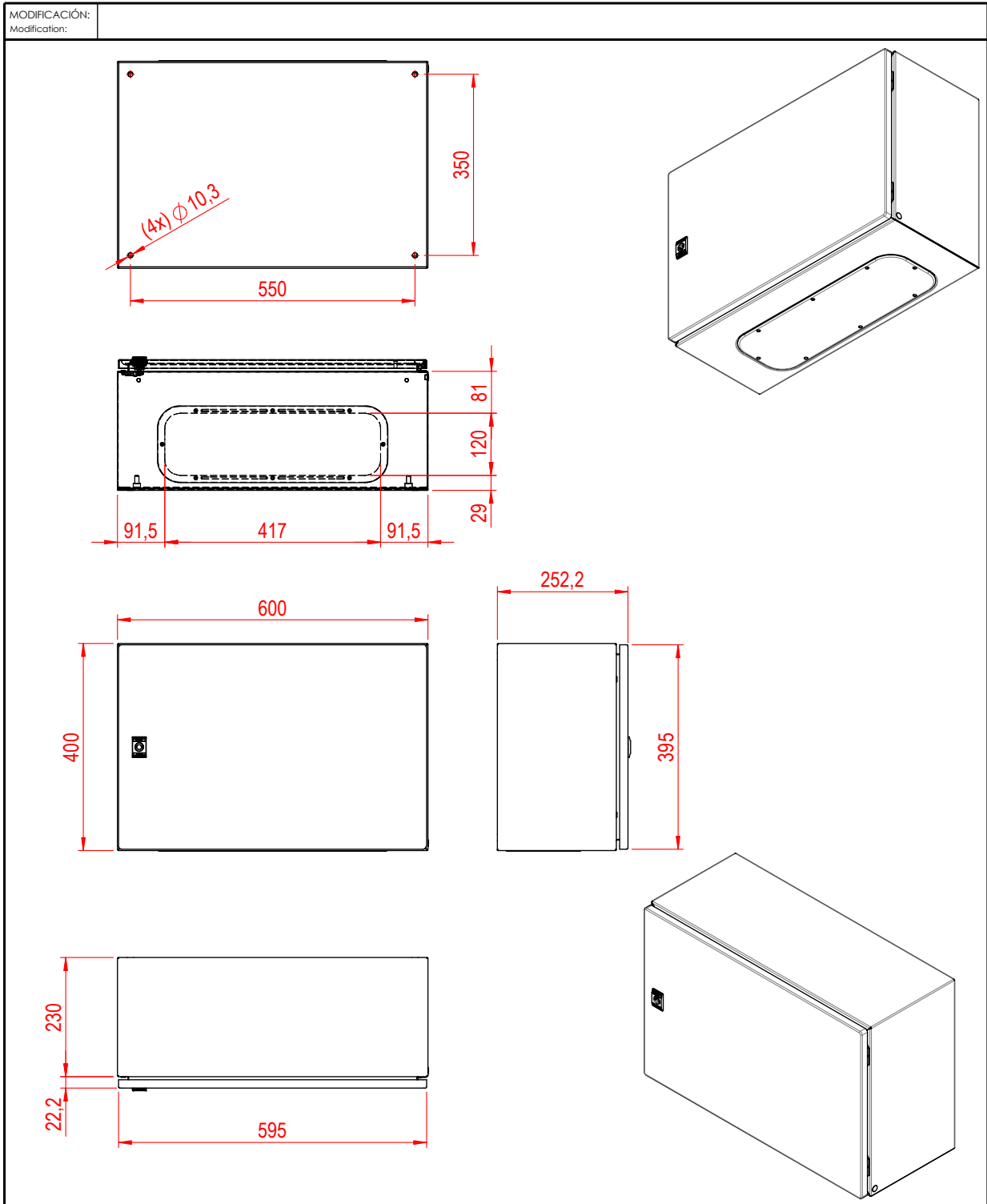
2. Electrical specifications

Electrical specifications / Amperage	80A
	10 A gG for signalling circuit pursuant to IEC 60947-5-1
Associated fuse	125 A gG at ≤ 690 V type 1 coordination for power supply circuit
	125 A gG at ≤ 690 V type 2 coordination for power supply circuit
Rated insulation voltage (U_i)	Power supply circuit, status 1 600 V CSA certified
	Power supply circuit, status 1 600 V UL certified
	Signalling circuit, status 1 690 V pursuant to IEC 60947-1
	Signalling circuit, status 1 600 V CSA certified
	Signalling circuit, status 1 600 V UL certified
Average impedance	Power supply circuit, status 1 690 V according to IEC 60947-4-1
Average impedance	1.6 mOhm - lth 80 A 50 Hz for power supply circuit
Power dissipation per pole	10,2 W AC-1
Switching duration, network-group (ms)	22
Switching duration, group-network (ms)	22
Maintenance consumption in VA	140 VA 60 Hz 0,75 20 °C)
	160 VA 50 Hz 0,75 20 °C)
Consumption on call in VA	13 VA 60 Hz 0,3 20 °C)
	15 VA 50 Hz 0,3 20 °C)
Heat dissipation	4...5 W at 50/60 Hz
Maximum cable cross-sections (mm²)	50 mm ² / 2x25 mm ²

3. Mechanical specifications

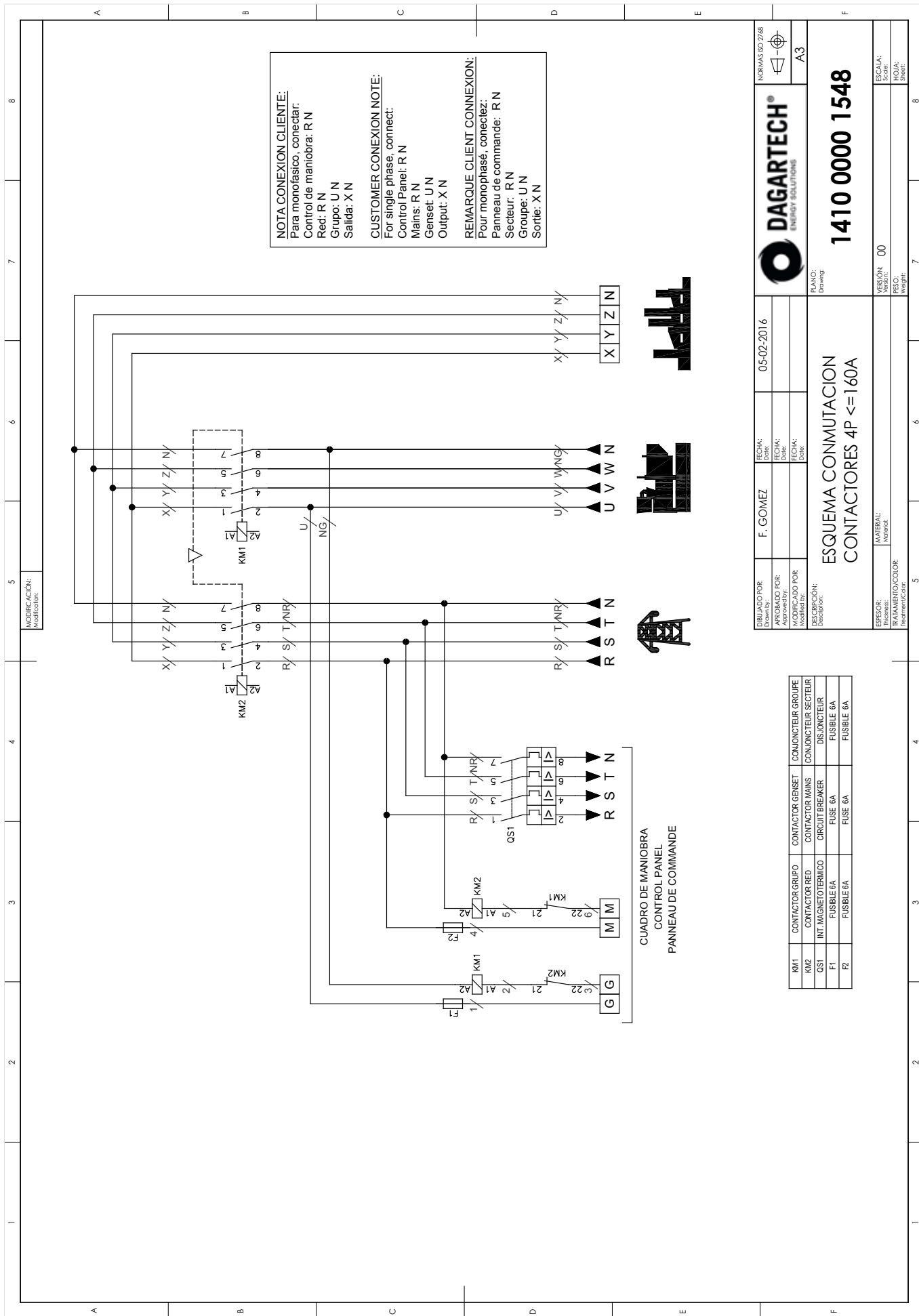
Electrical specifications / Amperage	80A
Mechanical durability (cycles)	6
Mechanical protection index	IP66
Mechanical shock resistance of the enclosure according to IEC 62262	IK10
RAL Colour	RAL 7035

Electrical specifications / Amperage	80A
Mechanical durability (cycles)	6
Mechanical shock resistance of the enclosure according to IEC 62262	IK10



MODIFICACIÓN: Modification:							
DIBUJADO POR: Drawn by:	PLECINA	FECHA: Date:	23/11/2021			NORMAS ISO 2768-c	
APROBADO POR: Approved by:		FECHA: Date:					
MODIFICADO POR: Modified by:		FECHA: Date:					
DESCRIPCIÓN: Description:				PLANO: Drawing:			
<p>ARMARIO DE CHAPA 400X600X250 -- NSYCRN46250 (ALTO X ANCHO X PROFUNDO)</p>				<p>140000005314</p>			
ESPEJOR: Thickness:	MATERIAL: VER LISTADO		VERSIÓN: Version:		ESCALA: 1:10		
TRATAMIENTO/COLOR: Treatment/Color:			PESO: Weight: 10.82		HOJA: 1 / 1		

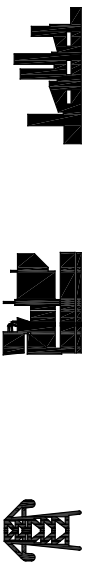
V.O.-2024. Last update: 19/04/2024. Indicative technical plan and indicative images. Dagartech reserves the right to modify the data in this technical sheet without prior notice.



NOTA CONEXION CLIENTE:
 Para monofasico, conectar:
 Control de maniobra: R N
 Red: R N
 Grupo: U N
 Salida: X N

CUSTOMER CONEXION NOTE:
 For single phase, connect:
 Control Panel: R N
 Mains: R N
 Genset: U N
 Output: X N

REMARQUE CLIENT CONNEXION:
 Pour monophasé, connectez:
 Panneau de commande: R N
 Secteur: R N
 Groupe: U N
 Sortie: X N



CUADRO DE MANIOBRA
 CONTROL PANEL
 PANNEAU DE COMMANDE

DIBUJADO POR: Drawn by: F. GOMEZ		FECHA: Date: 05-02-2016		NORMAS ISO 2768	
APROBADO POR: Approved by:		FECHA: Date:		A3	
MODIFICADO POR: Modified by:		FECHA: Date:		1410 0000 1548	
DESCRIPCION: Description: ESQUEMA CONMUTACION CONTACTORES 4P <=160A		PLANO: Drawing:		SECCION: Section: 00	
MATERIAL: Material:		TRATAMIENTO/COLOR: Treatment/Color:		FECHA: Date:	
				PESO: Weight:	
				8	

RM1	CONTACTOR GRUPO	CONTACTOR GENSET	CONJUNCTOR GRUPE
RM2	CONTACTOR RED	CONTACTOR MAINS	CONJONCTEUR SECTEUR
QS1	INT. MAGNETOTERMICO	CIRCUIT BREAKER	DISJONCTEUR
F1	FUSIBLE 6A	FUSE 6A	FUSIBLE 6A
F2	FUSIBLE 6A	FUSE 6A	FUSIBLE 6A



DAGARTECH[®]

CUSTOM ENERGY SOLUTIONS

info@dagartech.com

T +34 976 141 655

**CUSTOM
ENERGY
SOLUTIONS**

dagartech.com